

## VIEWING TEMPERATURE RECORDING

Press + : will be displayed followed by  
 Press - : will be displayed followed by  
 Values recorder are memory permanent stored; for memory clear keep pushed \* keys for more than 3 seconds. **CLEA** message will be composed on display before clearing operation.

## COST PROGRAMMING (System constants)

These settings refer to the mode of operation of the system and must be made on initial start-up. Press -/+ together for at least one second.  
 Press then repeatedly **ALARM** until interested variable's message is displayed (see table below).  
 Press + or - to set a new value and then **ALARM** to confirm. The next system constant will then appear. You can press **ALARM** for a least two second to escape and return to the Run Mode.

Mess.	Value	Meaning	Note
d.HEA	0.2°	* HEAT differential	*1)
r.EL.1	0.0°	* V1 start setting referring to VENT set.	*1)
r.EL.2	1.0°	* V2 start setting referring to V1 start.	*1)
r.EL.3	1.0°	* V3 start setting referring to V2 start.	*1)
r.EL.4	1.0°	* V4 start setting referring to V3 start.	*1)
d.FAN	0.2°	* Ventilation differential	*1)
r.COL	6.0°	* Cool setting shift referring to vent	*1)
d.COL	0.2°	* COOL differential	*1)
t.EMP	=1	* Temperature representation (=1 °C, =2 °F)	*2)
Adt.E	0.0°	* Input sensor temperature correction (+ or -)	*3)
TYPE	1	Start ventilation actuating mode	*4)

- \*1) For more details see Operative Diagrams  
 \*2) t.EMP =1 : °C Temperature range.  
 t.EMP =2 : °F Temperature range.  
 \*3) You can correct the readings on the sensor (+ or -).  
 \*4) Different mode of ventilator initial start-up optionally settable (step from 0 to 1 speed).  
 TYPE=1 : 0 to 1 step become in normal mode.  
 TYPE=2 : 0 to 1 step become with a momentary 10 seconds at speed 2.  
 TYPE=3 : 0 to 1 step become with a momentary 5 seconds at speed 3.  
 TYPE=4 : 0 to 1 step become with a momentary 5 seconds at speed 4.  
 TYPE=13 : Heating mode ventilation.  
 TYPE=14 : Progressive ventilation contacts (On-Off regulation type).  
 Options 2, 3, 4 permits to make an easy opening of shutler models ventilators.  
 Option 13 permits Heater mode ventilation (low temperature = high speed; in other options high temperature=high speed).  
 Option 14 permits On-Off regulation mode (in other condition regulation is for variable speed control).

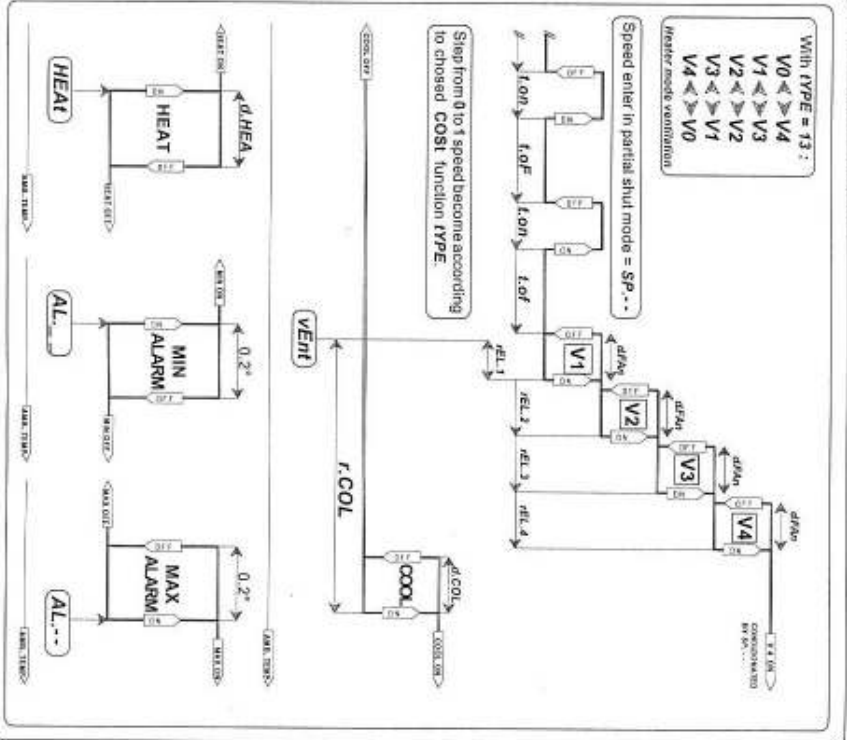
## PRESET PROGRAMS (Bootstrap)

At delivery this processor is ready programmed with the following (variable) settings.  
 To return to these settings at any time:  
 Power off the processor, press **ALARM** key and keep it pressed giving power on: release **ALARM** key when on the screen appear **boot** message.  
 HEAT = 20.0° VENT = 25.0° SP... = 0 SP... = 4 LON=10° LOP= 60° SP... = 0  
 AL... = 10.0° AL... = 40.0° COST value are shown in COST paragraph.

## "HAND MODE"

In some start-up conditions may be useful to work in "hand" mode.  
 Power off the processor, press + key and keep it pressed giving power on:  
**Hand** message will be displayed (release now + key).  
 Push + until is displayed number required to be handed (see table relays "N° Relay") and push **ALARM** for activating relay.  
 Pushing again + for increase relay number previous relay is deactivated. You can press **ALARM** for a least two seconds to escape and return to the Run Mode.

## OPERATIVE DIAGRAMS



## STATUS INDICATION LAMPS

The lights situated at the bottom of the display, show the state of the various relays as set out below.

**Table of relay Outputs with TYPE= 1-2-3-4-13 (Variable speed control)**

Lamp.	Output relay				N° Relay	
	HEAT	0	1	2		3
HEAT	1	0	0	0	0	5
VENT 1	0	0	1	0	0	1
VENT 2	0	0	0	1	0	2
VENT 3	0	0	0	0	1	3
VENT 4	0	0	0	0	0	4

**Table of relay Outputs with TYPE = 14 (On-Off regulation type)**

Lamp.	Output relays with TYPE = 14 (see COST)				N° Relay	
	HEAT	0	1	2		3
HEAT	1	0	0	0	0	5
VENT 1	0	0	1	0	0	1
VENT 2	0	0	0	1	0	2
VENT 3	0	0	0	0	1	3
VENT 4	0	0	0	0	0	4

## INSTALLATION

How to connect the line  
Connect 230V line on terminals L-N  
Protect supply with adequate fuse.

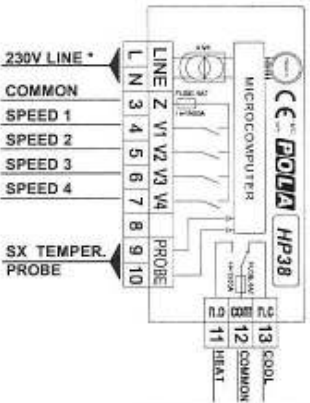
How to connect the sensors

Connect the sensor provided as shown in the diagram. For remote connections use a standard 0.5-square millimeter two-pole wire, taking great care over the connections, by insulating and sealing the joints carefully. -O-C- is displayed when the temperature sensor wiring is open, -S-C- is displayed when the temperature sensor wiring is short circuit.

How to connect the contacts

Output contacts are N.O. (Normally Opened free of voltage) on which is applicable a 4AMP AC1 maximum load.

- 3-4s Speed 1 contact
  - 3-4s Speed 2 contact
  - 3-4s Speed 3 contact
  - 3-7s Speed 4 contact
  - 11-12s Heat contact
  - 12-13s Cool contact
- Alarms and Cooling are available only with HPAL optional slot.



\* Other power voltage if you required

As it continues policy to continually improve the products the Manufacturers reserve the right to make any modifications, trends without prior notice. They cannot be held liable for any damage due to malfunction.

**POLA** www.pola.it

021218

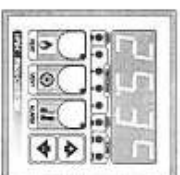
4 step ventilation + thermoreg.

**HP54**

SL 3.0

CE

Handbook



## MAIN SETTINGS (Run Mode)

### HEAT TEMPERATURE SETTING.

Press HEAT:

This message will be displayed instead of the

\*Set Heat temperature value.

Press + or - to modify, press HEAT to exit.

HEAT-

### VENTILATION TEMPERATURE SETTING.

Press °C VENT:

This message will be displayed instead of the

\*Set Ventilation temperature value (start first speed).

Press + or - to modify, press VENT to confirm.

At this point: this message will be displayed instead of the

Minimum Ventilation Speed (\*).

Press + or - to modify, press VENT to confirm.

At this point: this message will be displayed instead of the

Maximum Ventilation Speed.

Press + or - to modify, press VENT to confirm.

VENT-

(\*) If the minimum speed is set to 0, this message appears instead of the Set Shutter Running Time (seconds).

Press + or - to modify, press VENT to confirm.

F.07

At this point: this message will be displayed instead of the

Shutter Dwell Time (seconds).

Press + or - to modify, press VENT to confirm.

F.0F

At this point: this message will be displayed instead of the

Shut Speed Number.

Press + or - to modify, press VENT to exit.

SP--

### ALARM PARAMETER SETTING.

Press ALARM:

This message will be displayed instead of the

\*Set Minimum Alarm temperature value.

Press + or - to modify, press ALARM to confirm.

AL--

At this point: this message will be displayed instead of the

\*Set Maximum Alarm temperature value.

Press + or - to modify, press ALARM to exit.

AL--